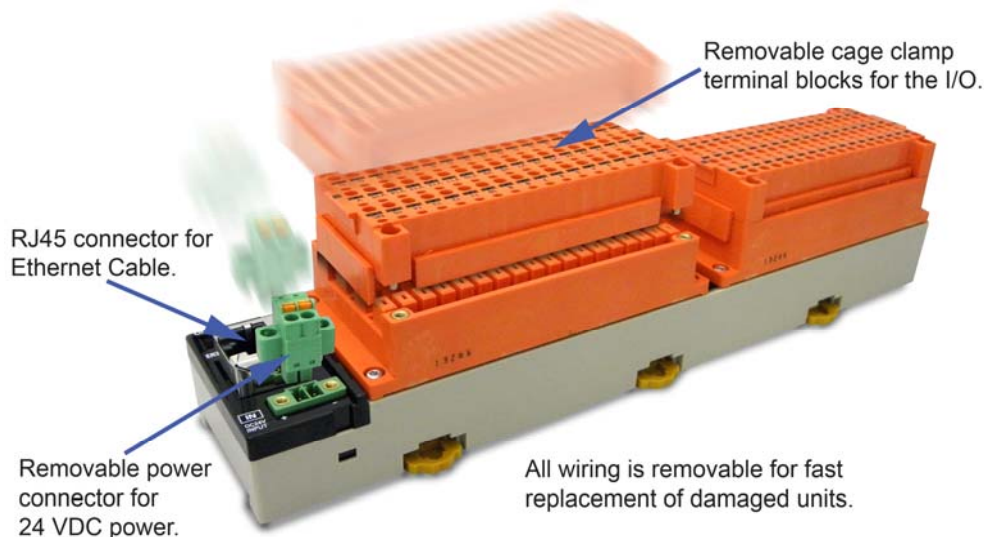


EtherNet/IP Remote I/O Blocks, Cage Clamp Connectors

# ERT1-□□32SLH-1

## High Density EtherNet/IP Remote I/O with Short and Open Circuit Detection

- **Simple & Fast Wiring** – Cage clamp terminals allow for easy & fast wiring saving setup time
- **3 Wire Termination** – for cleaner wiring and easier debugging
- **Cage Clamp Connections** – for vibration resistant wiring.
- **High Density Wiring** – small footprint saves panel space; 32 I/O, 24VDC, PNP--32 inputs, 32 outputs, or 16in/16out versions.
- **Tag Data Links** – Multi vendor communications using CIP messaging makes it easy to talk to Omron and third-party masters.
- **Auto Baud Rate** – simplifies installation, automatically detects the baud rate of a connected switch.
- **Node address can be set by rotary switches** – for fast maintenance, easy swap out.
- **Quick to service:** Removable cage clamp wiring blocks for fast replacement and less downtime.
- **Power connector is removable and so is the Ethernet cable** -for fast maintenance.
- **Status and Error LEDs for each input/output** - for fast troubleshooting.
- **EtherNet/IP conformance tested** – for interoperability with devices from other brands.



### Diagnostics that Pinpoint Wiring Shorts and Sensor Errors in Seconds Not Hours

The ERT1 I/O Block detects shorts at the sensor and prevents the short from affecting the rest of the inputs. It also has LEDs to tell you which input or output is shorted. It also has I/O bits back to the master telling you if an input or output is shorted or open (broken sensor or broken wire to sensor). Each group of 16 I/O has its own power terminals and the communications module has its own power terminals. This way the module can also tell you if power to the I/O terminals is lost.

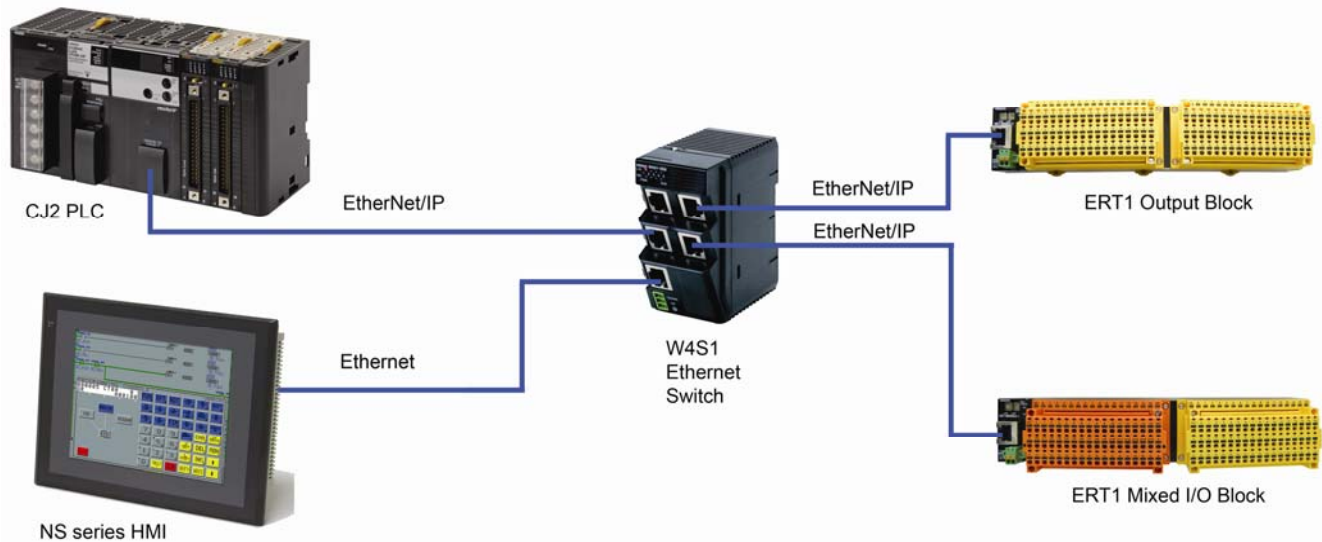
The LEDs are yellow for on, red for shorted, red flashing for disconnected, and off for off. The short and open circuit detection can be enabled or disabled for each input/output.

### International Approvals

CE, cULus Class I, Division 2, Groups A, B, C and D;  
IP20 rating for mounting inside an enclosure.



### System Configuration



### Ordering Information

#### EtherNet/IP Remote I/O Units

Inputs	Outputs	I/O type	Output current	Input current	Model
32	--	PNP	--	6mA at 24VDC max.	ERT1-ID32SLH-1
--	32	PNP	0.5A/point 4.0 A/common	--	ERT1-OD32SLH-1
16	16	PNP	0.5A/point 4.0 A/common	6mA at 24VDC max.	ERT1-MD32SLH-1

#### Slave I/O Block Compatibility with Omron Controllers

PLC Type	ERT1-ID32SLH-1	ERT1-OD32SLH-1	ERT1-MD32SLH-1
CJ2M-CPU3□	Yes	Yes	Yes
CJ2H-CPU6□-EIP	Yes	Yes	Yes
CJ1, NSJ with CJ1W-EIP21	Yes	Yes	Yes
CS1 with CS1W-EIP21	Yes	Yes	Yes
NJ501-1□00	Yes	Yes	Yes
CP1E	No	No	No
CP1L	No	No	No
CP1H	No	No	No

#### Notes:

- 1) All units require a 24 VDC power supply for power and 24VDC power for each bank of 16 I/O.
- 2) Minimum current for disconnection detection is 0.2mA.
- 3) Maximum current for short circuit detection is 50mA/point min.
- 4) Shorting of one input or output does not affect the rest of the inputs or outputs.
- 5) Short circuit and disconnection detection can be turned on for each I/O independently.

## Status Areas

### Generic Status Area

Generic Status Area which is Tag Set Input\_100.

The Digital I/O Slave Unit's Generic Status Area contains the following 16 bits.

Bit	Content	Description
00	I/O Power Supply Status Flag 1 OFF: I/O power is ON ON: I/O power is not ON	Turns ON when I/O power is not being supplied to terminal block 1.
01	I/O Power Supply Status Flag 2 OFF: I/O power is ON ON: I/O power is not ON	Turns ON when I/O power is not being supplied to terminal block 2.
02	Reserved	---
03	Reserved	---
04	Power or Load short-circuit detection flag: OFF: Normal ON: Short-circuit	Turns ON when there is a short in the power supply or load connection to the connected devices, including wiring mistakes and connected device failure.
05	Disconnection flag; OFF: Connected ON: Disconnected	Turns ON when the sensor power supply is not connected or the load is disconnected due to a wiring error, failure in the connected device, etc.
06	Reserved	---
07	Reserved	---
08	EEPROM data error flag: OFF: Normal ON: Error occurred	Turns ON when there is an error in the EEPROM data.
09	Reserved	---
10	Reserved	---
11	Reserved	---
12	Reserved	---
13	Reserved	---
14	Reserved	---
15	Reserved	---

### I/O Status Area

I/O Status Area which is Tag Set Input\_135.

The I/O Status Area for a Digital I/O Slave Unit consists of the following 8 bytes (64 bits). The I/O Status Area indicates the short-circuit and disconnection error status for each terminal.

Byte offset	Data							
	Bit 07	06	05	04	03	02	01	00
0	Power or Load Short-circuit Detection Flags for Terminal Block 1							
	07	06	05	04	03	02	01	00
1	Power or Load Short-circuit Detection Flags for Terminal Block 1							
	15	14	13	12	11	10	09	08
2	Power or Load Short-circuit Detection Flags for Terminal Block 2							
	07	06	05	04	03	02	01	00
3	Power or Load Short-circuit Detection Flags for Terminal Block 2							
	15	14	13	12	11	10	09	08
4	Disconnection Flags for Terminal Block 1							
	07	06	05	04	03	02	01	00
5	Disconnection Flags for Terminal Block 1							
	15	14	13	12	11	10	09	08
6	Disconnection Flags for Terminal Block 2							
	07	06	05	04	03	02	01	00
7	Disconnection Flags for Terminal Block 2							
	15	14	13	12	11	10	09	08

### 32 input module - ERT1-ID32SLH-1

There are 32 inputs which are input Tag Set Input\_6.

### 32 output module - ERT1-OD32SLH-1

There are 32 outputs which are input Tag Set Output\_36

### 16 input and 16 output module - ERT1-MD32SLH-1

There are 16 inputs which are input Tag Set Input\_5.

There are 16 outputs which are output Tag Set Output\_35.

Note: All of the open and short-circuit status bits are mapped in one of the I/O maps which allows the user to monitor I/O and status bits using polled I/O instead of having to use explicit messages. This makes getting diagnostic data much easier.

## Specifications

### Input Specifications

Item	Specifications
Input points	16 points
Internal I/O common	PNP
ON voltage	15 V DC min. (between each input terminal and 0 V)
OFF voltage	5 V DC max. (between each input terminal and 0 V)
OFF current	1.0 mA max.
Input current	6.0 mA max. at 24 V DC 3.0 mA max. at 17 V DC
ON delay time	1.5 ms max.
OFF delay time	1.5 ms max.
Number of circuits	16 points with one common circuit
Isolation method	Photocoupler isolation
Input indicators	LEDs (yellow)
Power supply short-circuit	Operates at 50 mA/point min.
Disconnection detection	Operates at 0.2 mA/point max.
Connections forms	Screw-less clamp terminal blocks (orange)

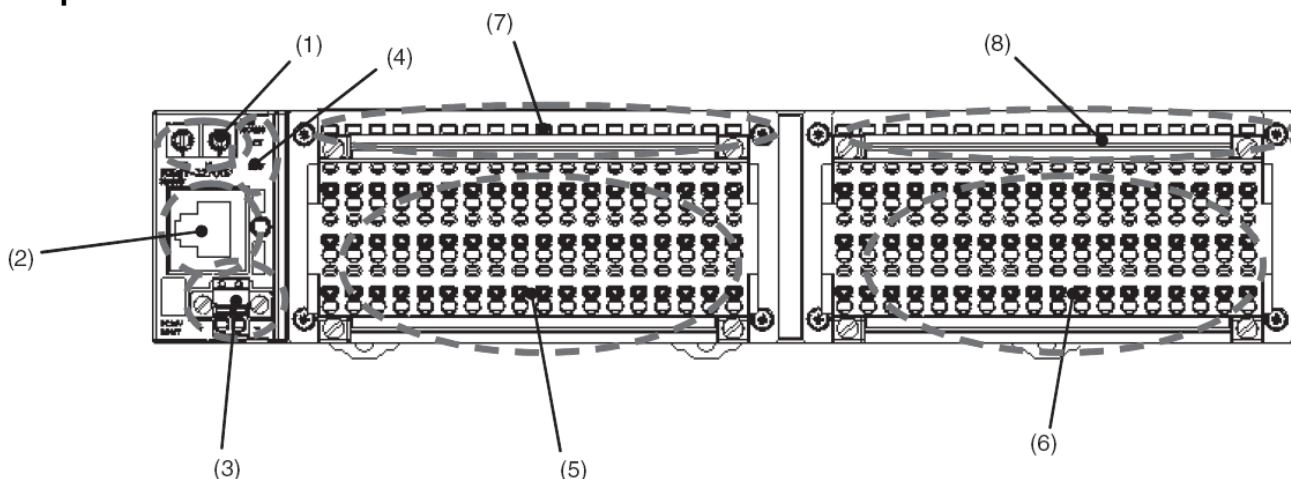
### Output Specifications

Item	Specification
Output points	16 points
Internal I/O common	PNP
Output current	0.5 A/point, 4.0 A/common
Residual voltage	1.2 V max. (0.5 A DC, between each output terminal and the V terminal)
Leakage current	0.3 mA max. (24 V DC, between each output terminal and V terminal)
ON delay	0.5 ms max.
OFF delay	1.5 ms max.
Number of circuits per common	16 outputs/common
Isolation method	Photocoupler
Output indicators	LEDs (yellow)
Power supply short-circuit protection	Operates when output current is exceeded.
Disconnection detection	Operates at current consumption of 3 mA/point max. (Not detected at 3 mA or less.)
Connection forms	Screw-less clamp terminal blocks (yellow)

### Common Specifications

Item	Specifications
Current consumption	Communications power supply (including internal circuits): 110 mA max.
Mounting	35 mm DIN track mounting
Weight	485 g max.
Standard accessories	Connector with lock screws FKMCP1.52STF3.5AUSOO (Phoenix Contact)

## Component Names and Functions



### (1) Rotary Switches

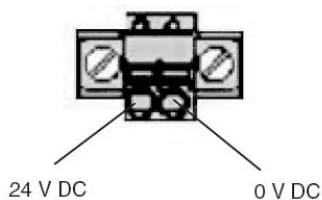
These switches are used to set the node address.

### (2) Ethernet Connector

The network communications cable is connected to this connector.

### (3) Power Supply Connector

The communications and Unit power supply is connected to this connector.



Terminal	Specification
+	24 V DC
-	0 V DC

### Applicable Ferrules

Manufacturer	Model	Applicable wire size
Phoenix Contact	AI-0.5-10	0.5 mm <sup>2</sup> (AWG 20)
Nihon Weidmuller	H 0.5/16 D	0.5 mm <sup>2</sup> (AWG 20)

### (4) Communications Indicators: MS and NS

These indicators show the Unit communications status and network communications status.

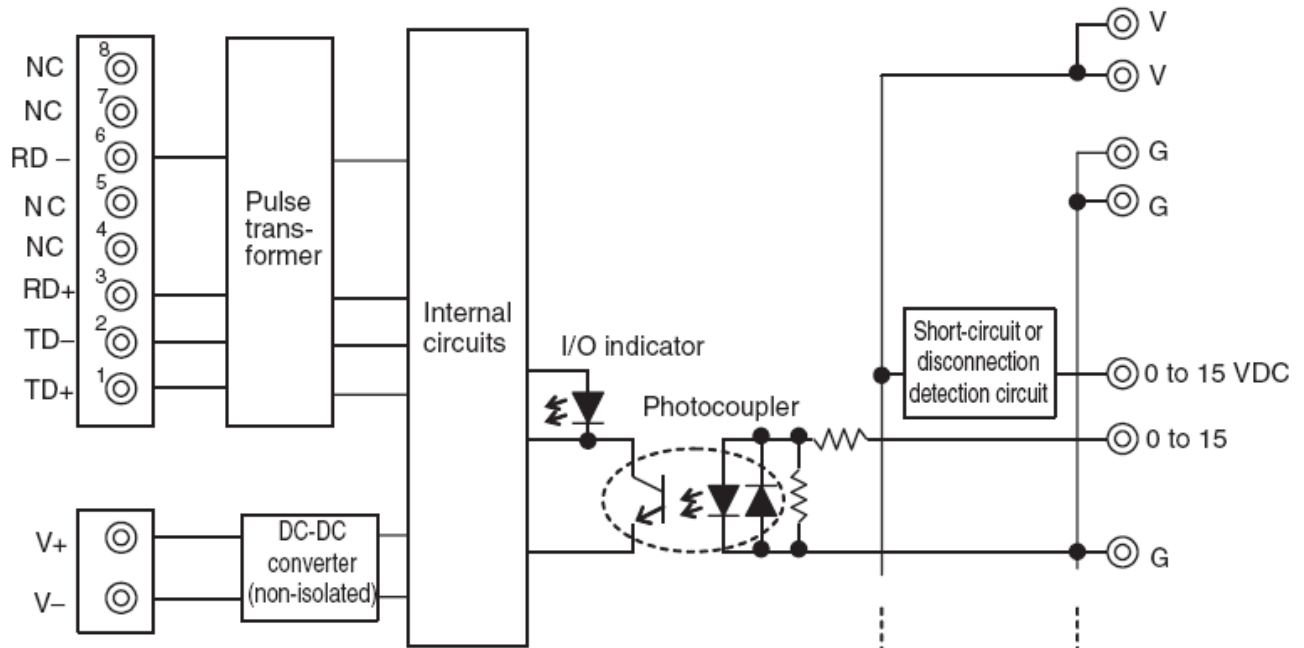
### (5) and (6) Terminal Blocks 1 and 2

The I/O devices and output power supply are connected to these terminal blocks.

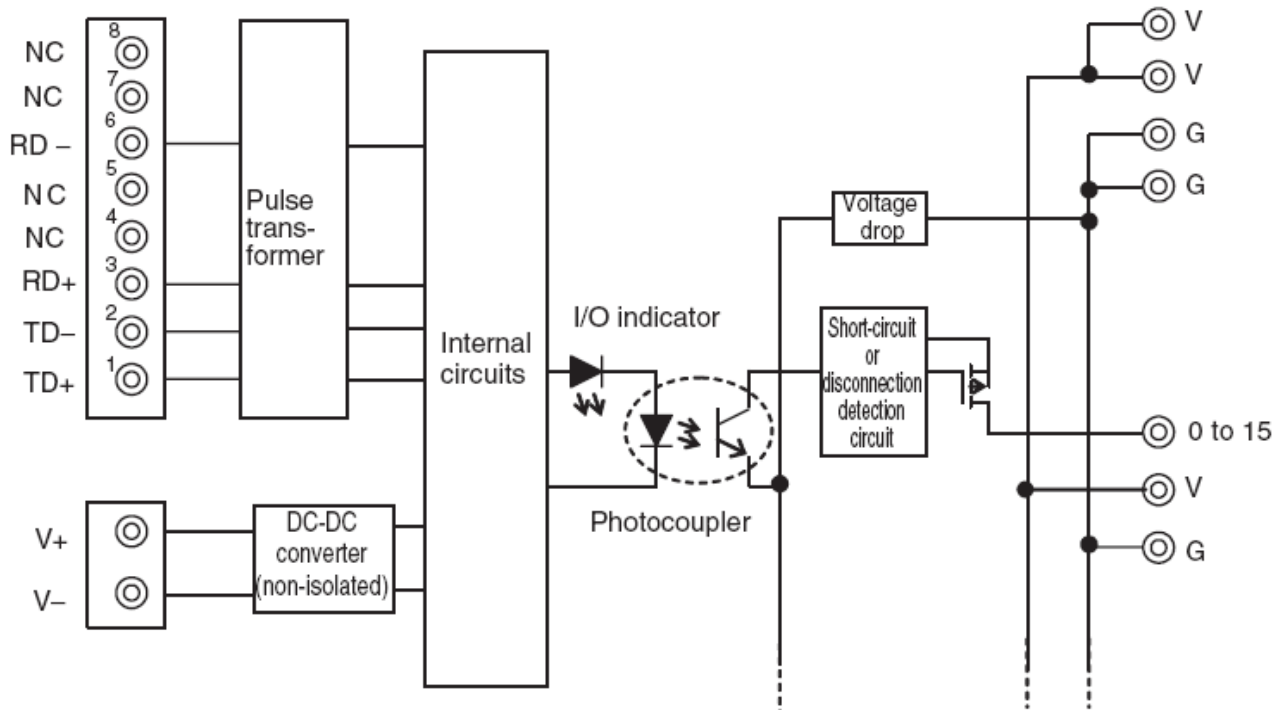
### (7) and (8) I/O Indicators

These indicators show the ON/OFF status of the I/O and the error status of connected devices.

**Internal Circuits**  
**Inputs**



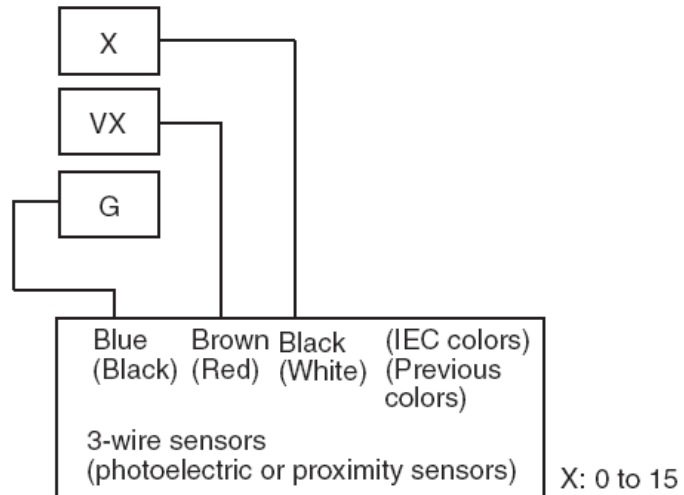
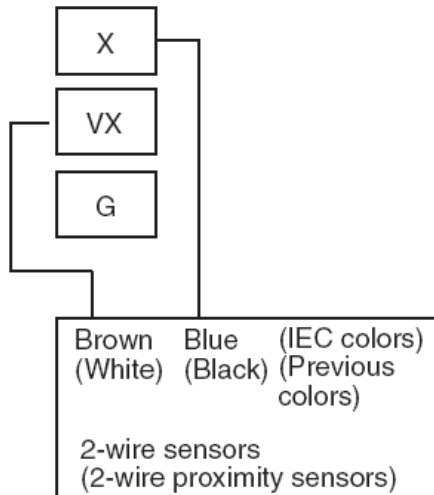
**Outputs**



## Wiring

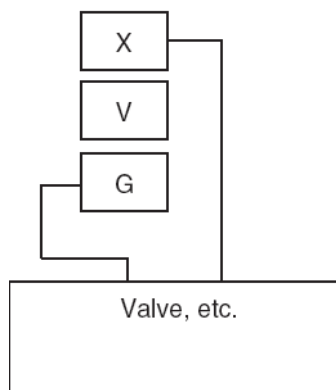
### Inputs

NC	0	1	2	3	4	5	6	7	8	9	10	11	12	13	14	15	NC
V	V0	V1	V2	V3	V4	V5	V6	V7	V8	V9	V10	V11	V12	V13	V14	V15	V
G	G	G	G	G	G	G	G	G	G	G	G	G	G	G	G	G	G



### Outputs

NC	0	1	2	3	4	5	6	7	8	9	10	11	12	13	14	15	NC
V	V0	V1	V2	V3	V4	V5	V6	V7	V8	V9	V10	V11	V12	V13	V14	V15	V
G	G	G	G	G	G	G	G	G	G	G	G	G	G	G	G	G	G



X: 0 to 15

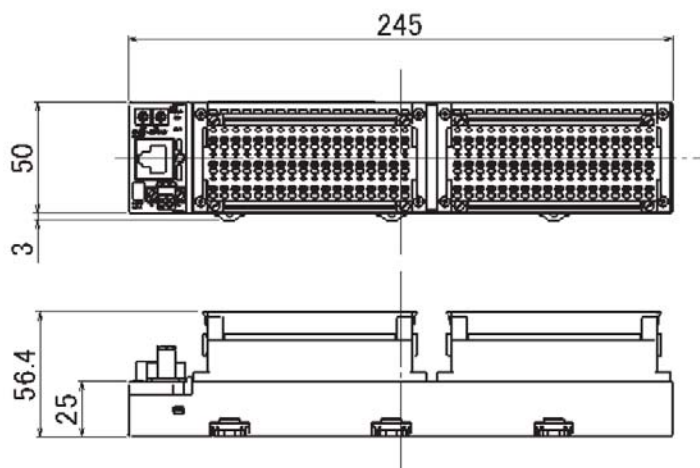


# Common Specifications

## Dimensions

ERT1-ID32SLH-1, ERT1-OD32SLH-1, ERT1-MD32SLH-1

Unit: mm



## Indicators

### I/O Indicators

The meanings of the input indicators are given in the following table.

Indicator name	Status	Color	Meaning (main error)
0 to 15	<input type="checkbox"/>	Yellow	Lit yellow when input or output is ON.
		Red	Flashing red when the load is disconnected. Automatically reset when the load is connected.
	<input type="checkbox"/>	Red	Lit red when the load is short-circuited. Automatically reset when the short-circuit is removed.
	<input checked="" type="checkbox"/>	OFF	Not lit when input or output is OFF.
I/O	<input type="checkbox"/>	Green	Lit green when I/O power is being supplied.
	<input checked="" type="checkbox"/>	OFF	Not lit when I/O power is not being supplied.

## Setting the Node Address

The rotary switches are used to set the lower digits of the IP address.

Setting method	Two hexadecimal digits
Setting range	01 to FE



### Rotary Switch Settings

00 hex: BOOTP or tool setting enabled (factory setting)

01 to FE hex: Setting on rotary switches is lower 8 bits of IP address.

(Default setting of upper 24 bits: 192.168.250.)

FF hex: Restores default setting.

(To restore the default setting, set the switches to FF hex, cycle the power supply, and then set the switches to 00 hex.)



## Features

### Functions Common to All Slave Units

This section describes the functions common to all EtherNet/IP Slave Units and the procedures for using them.

#### Automatic Baud Rate Detection

The EtherNet/IP Slave Units are automatically set to the same baud rate as the hub. It is not necessary to set the baud rate separately for any Slave Unit.

The baud rate is set when communications is established with the hub after the power is turned ON. The baud rate setting is stored in memory until the power is turned ON again or until the Master Unit baud rate setting is changed.

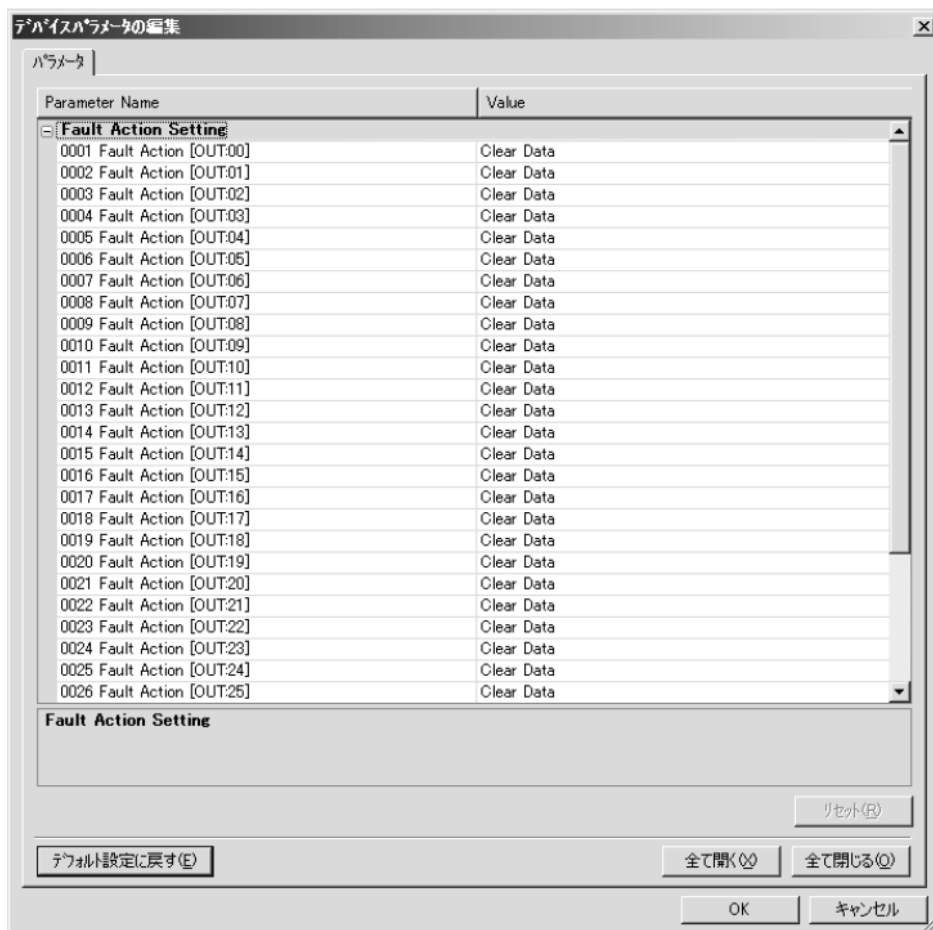
#### Hold/Clear Outputs

Output Units can be set to hold or clear outputs when an error occurs.

##### Procedure Using Network Configurator

1. Turn ON the power to the EtherNet/IP Slave Unit.
2. Double-click the icon of the Slave Unit to set in the Network Edit Device Parameters Window to open the Configuration Window.  
(Alternatively, rightclick the icon and select **Parameters - Edit** from the pop-up menu.)
3. The fault action (holding or clearing an output for a communications error) will be displayed for each output in the *Fault Action Setting Group*. Select *Hold Last State* or *Clear Data* for the terminals and then click the **OK** Button.

Clear	Clears all output data from the Master Unit to 0 when a communications error occurs.
Hold	Holds all output data from the Master Unit at its current status when a communications error occurs.



## I/O Power Status Monitor

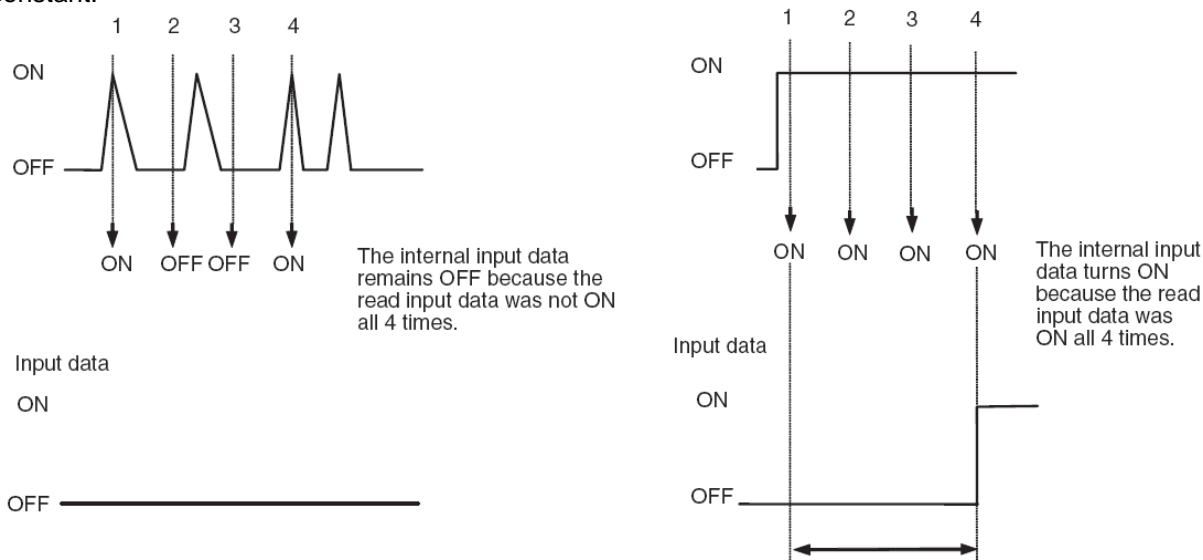
Outputs can be set to be held or cleared when an error occurs in the Output Unit. To check the status, refer to bits 0 and 1 in the Generic Status Area.

## Input Filter (Input Units Only)

An input value is read more than once during a set time interval. The input value can be set to be enabled only when all the read values are the same. This function operates for all input points in one Slave Unit. The following settings are possible: No delay (no filter), or 4, 8, 16, 32, 64, 128, or 256 ms.

### OFF-ON Delay

When the input data turns ON, the input data is read 4 times at a set time (1/4 of the time setting). The internal input data turns ON only when all four values are ON. The ON timing is delayed by the value of the input time constant.

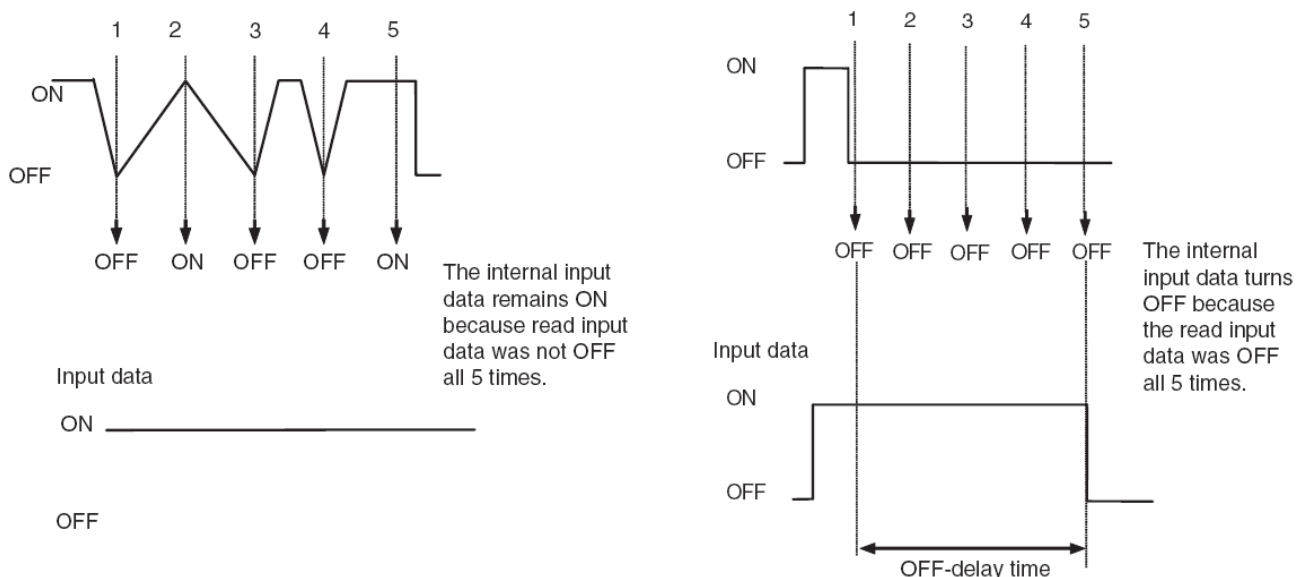


### ON-OFF Delay

When the input data turns OFF, the input data is read 5 times at a set interval (1/5 of the OFF response time setting). The internal input data turns OFF only when all values are OFF. The OFF timing is delayed by the value of the OFF response time.

This function can also be used to implement an OFF delay.

To enable reading pulses shorter than the communications cycle time, set the OFF response time to a value longer than the communications cycle time. (The input may remain ON if the input pulse interval is too short.)



## Settings Using the Network Configurator

1. Turn ON the power supply to the EtherNet/IP Slave Unit.
2. Double-click the icon of the Slave Unit to set in the Network Configuration Window to open the Edit Device Parameters Window. (Alternatively, rightclick the icon and select **Parameters - Edit** from the pop-up menu.)
3. Select an input in the *Input Point Group Setting* Group and set the Off-On Delay or On-Off delay from the pull-down menu.



### Power Short-circuit Detection (Input)

This function monitors the sensor power supply current. If the current is 50 mA or higher per input contact, a power short-circuit is detected.

The Slave Unit I/O indicator can be used to check whether a power short-circuit has been detected. When a power short-circuit is detected, a flag in a status area in the Slave Unit turns ON to notify the Master Unit. The notification details can be read using explicit messages. When the cause of the short-circuit is removed, the Slave Unit is automatically reset, and the power output to the connector that had the short-circuit is turned ON again.

## Load Short-circuit Detection (Output)

This function monitors the load current for the output section and detects an load short-circuit if the current per contact (or common) exceeds a specific value. When a load short-circuit is detected, all Unit outputs are turned OFF to prevent damage to the Unit's output circuits.

The I/O power for the Unit turns OFF if a short-circuit is detected for even just one of the contacts being used.

When a load short-circuit is detected, a flag in a status area in the Slave Unit turns ON to notify the Master Unit.

When the cause of the short-circuit is removed, the Slave Unit is automatically reset, and the power output to the connector for which the short-circuit was detected is turned ON again.

## Related Products

### Software

CX-One version 4 contains the Network Configurator for EtherNet/IP. CXONE-AL01C-V4 is the part number for a single license copy on CD.

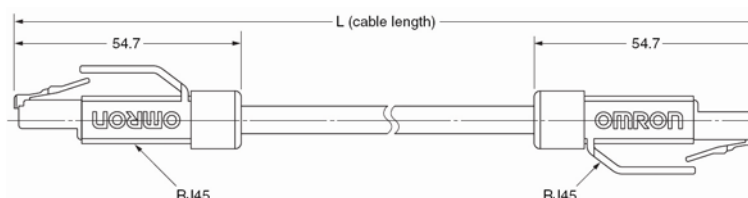
### Ethernet Switch Options

The following network devices are manufactured by OMRON for EtherNet/IP networks.



Function	Number of Ports	Error detection output	Model
Packet priority control (QoS): EtherNet/IP control data priority  Failure detection: Broadcast storm, LSI error detection, 10/100Base-TX, Auto- Negotiation	3	None	W4S1-03B
	5	None	W4S1-05B
	5	Provided	W4S1-05C

### Ethernet Cables



Description	Connector type	Cable length L	Model
Double-ended EtherCAT Cable with Straight Connectors	RJ45/RJ45 on both ends	0.3 m	XS5W-T421-AMD-K
		0.5 m	XS5W-T421-BMD-K
		1 m	XS5W-T421-CMD-K
		2 m	XS5W-T421-DMD-K
		3 m	XS5W-T421-EMD-K
		5 m	XS5W-T421-GMD-K
		10 m	XS5W-T421-JMD-K
		15 m	XS5W-T421-KMD-K

### Manuals

Description	Media	Publication number
ERT1 Series EtherNet/IP Slave Units Operation Manual	PDF	W481-E1-02
XS5 SmartClick Sensor I/O Connectors Data Sheet	PDF	G016-E1-02

**ALL DIMENSIONS SHOWN ARE IN MILLIMETERS.**

To convert millimeters into inches, multiply by 0.03937. To convert grams into ounces, multiply by 0.03527.

# Terms and Conditions of Sale

- Offer; Acceptance.** These terms and conditions (these "Terms") are deemed part of all quotes, agreements, purchase orders, acknowledgments, price lists, catalogs, manuals, brochures and other documents, whether electronic or in writing, relating to the sale of products or services (collectively, the "Products") by Omron Electronics LLC and its subsidiary companies ("Omron"). Omron objects to any terms or conditions proposed in Buyer's purchase order or other documents which are inconsistent with, or in addition to, these Terms.
- Prices; Payment Terms.** All prices stated are current, subject to change without notice by Omron. Omron reserves the right to increase or decrease prices on any unshipped portions of outstanding orders. Payments for Products are due net 30 days unless otherwise stated in the invoice.
- Discounts.** Cash discounts, if any, will apply only on the net amount of invoices sent to Buyer after deducting transportation charges, taxes and duties, and will be allowed only if (i) the invoice is paid according to Omron's payment terms and (ii) Buyer has no past due amounts.
- Interest.** Omron, at its option, may charge Buyer 1-1/2% interest per month or the maximum legal rate, whichever is less, on any balance not paid within the stated terms.
- Orders.** Omron will accept no order less than \$200 net billing.
- Governmental Approvals.** Buyer shall be responsible for, and shall bear all costs involved in, obtaining any government approvals required for the importation or sale of the Products.
- Taxes.** All taxes, duties and other governmental charges (other than general real property and income taxes), including any interest or penalties thereon, imposed directly or indirectly on Omron or required to be collected directly or indirectly by Omron for the manufacture, production, sale, delivery, importation, consumption or use of the Products sold hereunder (including customs duties and sales, excise, use, turnover and license taxes) shall be charged to and remitted by Buyer to Omron.
- Financial.** If the financial position of Buyer at any time becomes unsatisfactory to Omron, Omron reserves the right to stop shipments or require satisfactory security or payment in advance. If Buyer fails to make payment or otherwise comply with these Terms or any related agreement, Omron may (without liability and in addition to other remedies) cancel any unshipped portion of Products sold hereunder and stop any Products in transit until Buyer pays all amounts, including amounts payable hereunder, whether or not then due, which are owing to it by Buyer. Buyer shall in any event remain liable for all unpaid accounts.
- Cancellation; Etc.** Orders are not subject to rescheduling or cancellation unless Buyer indemnifies Omron against all related costs or expenses.
- Force Majeure.** Omron shall not be liable for any delay or failure in delivery resulting from causes beyond its control, including earthquakes, fires, floods, strikes or other labor disputes, shortage of labor or materials, accidents to machinery, acts of sabotage, riots, delay in or lack of transportation or the requirements of any government authority.
- Shipping; Delivery.** Unless otherwise expressly agreed in writing by Omron:
  - Shipments shall be by a carrier selected by Omron; Omron will not drop ship except in "break down" situations.
  - Such carrier shall act as the agent of Buyer and delivery to such carrier shall constitute delivery to Buyer;
  - All sales and shipments of Products shall be FOB shipping point (unless otherwise stated in writing by Omron), at which point title and risk of loss shall pass from Omron to Buyer; provided that Omron shall retain a security interest in the Products until the full purchase price is paid;
  - Delivery and shipping dates are estimates only; and
  - Omron will package Products as it deems proper for protection against normal handling and extra charges apply to special conditions.
- Claims.** Any claim by Buyer against Omron for shortage or damage to the Products occurring before delivery to the carrier must be presented in writing to Omron within 30 days of receipt of shipment and include the original transportation bill signed by the carrier noting that the carrier received the Products from Omron in the condition claimed.
- Warranties.** (a) **Exclusive Warranty.** Omron's exclusive warranty is that the Products will be free from defects in materials and workmanship for a period of twelve months from the date of sale by Omron (or such other period expressed in writing by Omron). Omron disclaims all other warranties, express or implied. (b) **Limitations.** OMRON MAKES NO WARRANTY OR REPRESENTATION, EXPRESS OR IMPLIED, ABOUT NON-INFRINGEMENT, MERCHANTABILITY OR FITNESS FOR A PARTICULAR PURPOSE OF THE PRODUCTS. BUYER ACKNOWLEDGES THAT IT ALONE HAS DETERMINED THAT THE PRODUCTS WILL SUITABLY MEET THE REQUIREMENTS OF THEIR INTENDED USE. Omron further disclaims all warranties and responsibility of any type for claims or expenses based on infringement by the Products or otherwise of any intellectual property right. (c) **Buyer Remedy.** Omron's sole obligation hereunder shall be, at Omron's election, to (i) replace (in the form originally shipped with Buyer responsible for labor charges for removal or replacement thereof) the non-complying Product, (ii) repair the non-complying Product, or (iii) repay or credit Buyer an amount equal to the purchase price of the non-complying Product; provided that in no event shall Omron be responsible for warranty, repair, indemnity or any other claims or expenses regarding the Products unless Omron's analysis confirms that the Products were properly handled, stored, installed and maintained and not subject to contamination, abuse, misuse or inappropriate modification. Return of any Products by Buyer must be approved in writing by Omron before shipment. Omron Companies shall not be liable for the suitability or unsuitability or the results from the use of Products in combination with any electrical or electronic components, circuits, system assemblies or any other materials or substances or environments. Any advice, recommendations or information given orally or in writing, are not to be construed as an amendment or addition to the above warranty. See <http://www.omron247.com> or contact your Omron representative for published information.
- Limitation on Liability; Etc.** OMRON COMPANIES SHALL NOT BE LIABLE FOR SPECIAL, INDIRECT, INCIDENTAL, OR CONSEQUENTIAL DAMAGES, LOSS OF PROFITS OR PRODUCTION OR COMMERCIAL LOSS IN ANY WAY CONNECTED WITH THE PRODUCTS, WHETHER SUCH CLAIM IS BASED IN CONTRACT, WARRANTY, NEGLIGENCE OR STRICT LIABILITY. Further, in no event shall liability of Omron Companies exceed the individual price of the Product on which liability is asserted.
- Indemnities.** Buyer shall indemnify and hold harmless Omron Companies and their employees from and against all liabilities, losses, claims, costs and expenses (including attorney's fees and expenses) related to any claim, investigation, litigation or proceeding (whether or not Omron is a party) which arises or is alleged to arise from Buyer's acts or omissions under these Terms or in any way with respect to the Products. Without limiting the foregoing, Buyer (at its own expense) shall indemnify and hold harmless Omron and defend or settle any action brought against such Companies to the extent based on a claim that any Product made to Buyer specifications infringed intellectual property rights of another party.
- Property; Confidentiality.** Any intellectual property in the Products is the exclusive property of Omron Companies and Buyer shall not attempt to duplicate it in any way without the written permission of Omron. Notwithstanding any charges to Buyer for engineering or tooling, all engineering and tooling shall remain the exclusive property of Omron. All information and materials supplied by Omron to Buyer relating to the Products are confidential and proprietary, and Buyer shall limit distribution thereof to its trusted employees and strictly prevent disclosure to any third party.
- Export Controls.** Buyer shall comply with all applicable laws, regulations and licenses regarding (i) export of products or information; (ii) sale of products to "forbidden" or other proscribed persons; and (iii) disclosure to non-citizens of regulated technology or information.
- Miscellaneous.** (a) **Waiver.** No failure or delay by Omron in exercising any right and no course of dealing between Buyer and Omron shall operate as a waiver of rights by Omron. (b) **Assignment.** Buyer may not assign its rights hereunder without Omron's written consent. (c) **Law.** These Terms are governed by the law of the jurisdiction of the home office of the Omron company from which Buyer is purchasing the Products (without regard to conflict of law principles). (d) **Amendment.** These Terms constitute the entire agreement between Buyer and Omron relating to the Products, and no provision may be changed or waived unless in writing signed by the parties. (e) **Severability.** If any provision hereof is rendered ineffective or invalid, such provision shall not invalidate any other provision. (f) **Setoff.** Buyer shall have no right to set off any amounts against the amount owing in respect of this invoice. (g) **Definitions.** As used herein, "including" means "including without limitation"; and "Omron Companies" (or similar words) mean Omron Corporation and any direct or indirect subsidiary or affiliate thereof.

## Certain Precautions on Specifications and Use

- Suitability of Use.** Omron Companies shall not be responsible for conformity with any standards, codes or regulations which apply to the combination of the Product in the Buyer's application or use of the Product. At Buyer's request, Omron will provide applicable third party certification documents identifying ratings and limitations of use which apply to the Product. This information by itself is not sufficient for a complete determination of the suitability of the Product in combination with the end product, machine, system, or other application or use. Buyer shall be solely responsible for determining appropriateness of the particular Product with respect to Buyer's application, product or system. Buyer shall take application responsibility in all cases but the following is a non-exhaustive list of applications for which particular attention must be given:
  - Outdoor use, uses involving potential chemical contamination or electrical interference, or conditions or uses not described in this document.
  - Use in consumer products or any use in significant quantities.
  - Energy control systems, combustion systems, railroad systems, aviation systems, medical equipment, amusement machines, vehicles, safety equipment, and installations subject to separate industry or government regulations.
  - Systems, machines and equipment that could present a risk to life or property. Please know and observe all prohibitions of use applicable to this Product.

NEVER USE THE PRODUCT FOR AN APPLICATION INVOLVING SERIOUS RISK TO LIFE OR PROPERTY OR IN LARGE QUANTITIES WITHOUT ENSURING THAT THE SYSTEM AS A WHOLE HAS BEEN DESIGNED TO ADDRESS THE RISKS, AND THAT THE OMRON'S PRODUCT IS PROPERLY RATED AND INSTALLED FOR THE INTENDED USE WITHIN THE OVERALL EQUIPMENT OR SYSTEM.
- Programmable Products.** Omron Companies shall not be responsible for the user's programming of a programmable Product, or any consequence thereof.
- Performance Data.** Data presented in Omron Company websites, catalogs and other materials is provided as a guide for the user in determining suitability and does not constitute a warranty. It may represent the result of Omron's test conditions, and the user must correlate it to actual application requirements. Actual performance is subject to the Omron's Warranty and Limitations of Liability.
- Change in Specifications.** Product specifications and accessories may be changed at any time based on improvements and other reasons. It is our practice to change part numbers when published ratings or features are changed, or when significant construction changes are made. However, some specifications of the Product may be changed without any notice. When in doubt, special part numbers may be assigned to fix or establish key specifications for your application. Please consult with your Omron's representative at any time to confirm actual specifications of purchased Product.
- Errors and Omissions.** Information presented by Omron Companies has been checked and is believed to be accurate; however, no responsibility is assumed for clerical, typographical or proofreading errors or omissions.

**OMRON INDUSTRIAL AUTOMATION • THE AMERICAS HEADQUARTERS** • Schaumburg, IL USA • 847.843.7900 • 800.556.6766 • [www.omron247.com](http://www.omron247.com)

**OMRON CANADA, INC. • HEAD OFFICE**

Toronto, ON, Canada • 416.286.6465 • 866.986.6766 • [www.omron247.com](http://www.omron247.com)

**OMRON ELECTRONICS DE MEXICO • HEAD OFFICE**

México DF • 52.55.59.01.43.00 • 001.800.556.6766 • [mela@omron.com](mailto:mela@omron.com)

**OMRON ELECTRONICS DE MEXICO • SALES OFFICE**

Apodaca, N.L. • 52.81.11.56.99.20 • 001.800.556.6766 • [mela@omron.com](mailto:mela@omron.com)

**OMRON ELETRÔNICA DO BRASIL LTDA • HEAD OFFICE**

São Paulo, SP, Brasil • 55.11.2101.6300 • [www.omron.com.br](http://www.omron.com.br)

**OMRON ARGENTINA • SALES OFFICE**

Cono Sur • 54.11.4783.5300

**OMRON CHILE • SALES OFFICE**

Santiago • 56.9.9917.3920

**OTHER OMRON LATIN AMERICA SALES**

54.11.4783.5300

**OMRON EUROPE B.V.** • Wegalaan 67-69, NL-2132 JD, Hoofddorp, The Netherlands. • Tel: +31 (0) 23 568 13 00 • Fax: +31 (0) 23 568 13 88 • [www.industrial.omron.eu](http://www.industrial.omron.eu)

*Authorized Distributor:*

**Automation Systems**

- Programmable logic controllers (PLC) • Human machine interfaces (HMI) • Remote I/O
- Industrial PC's • Software

**Motion & Drives**

- Motion controllers • Servo systems • AC drives

**Control Components**

- Temperature controllers • Power supplies • Timers • Counters • Programmable relays
- Digital panel indicators • Electromechanical relays • Monitoring products • Solid-state relays
- Limit switches • Pushbutton switches • Low voltage switch gear

**Sensing & Safety**

- Photoelectric sensors • Inductive sensors • Capacitive & pressure sensors
- Cable connectors • Displacement & width-measuring sensors • Vision systems
- Safety networks • Safety sensors • Safety units/relay units • Safety door/guard lock switches